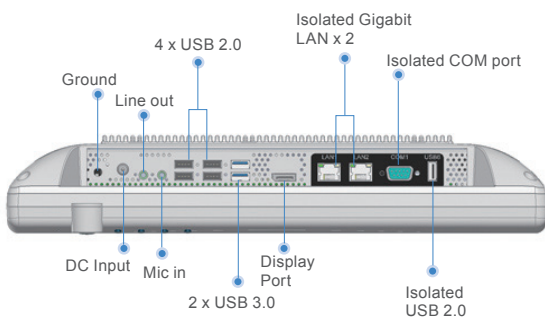
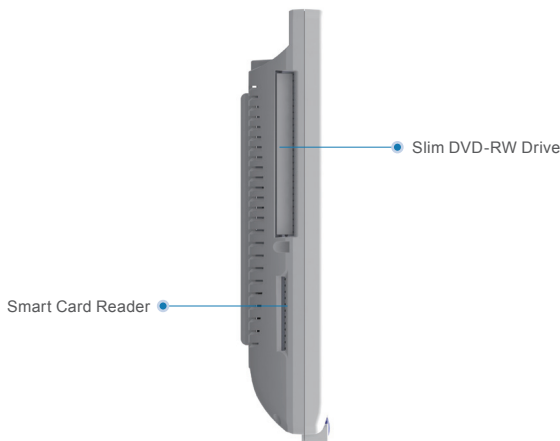


# Fanless Slim Panel HIT Solution

## ONYX-1723

17" Fanless Core i3 Slim Medical Panel PC



### Features

- Intel® Core™ i3-3217UE Dual Core 1.6GHz LV Processor
- Intel® QM77 Chipset
- Supports Dual Channel DDR3 SODIMM up to 16GB
- 17" SXGA LCD with LED Backlight
- 5-Wire Resistive Touch Screen
- Built-in Smart card Reader (Optional)
- Slim DVD-RW Drive (Optional)
- USB/COM/LAN Medical Isolation
- High Speed USB 3.0 Ports
- Mini Card x 2
- +12V to +24V Wide Range DC Input

### Specifications

#### Main Specifications

Processor	Intel® Core i3-3217UE Dual Core 1.6GHz Intel® Celeron 847E Dual Core 1.1GHz
System Memory	Supports Dual Channel DDR3 SODIMM up to 16GB
Chipset	Intel® QM77
Expansion Interface	Mini Card x 2
Storage Disk Drive	2.5" SATA Hard Disk Drive/SSD x 1 Slim DVD-RW Drive x 1(optional)
Security	Smart Card Reader x 1 (optional), Trusted Platform Module
Wireless Communication	802.11b/g/n(optional), Bluetooth 3.0HS & 4.0 (optional)
Speaker	3W x 2
Power Requirement	DC 12-24V

#### Display

Size / Type	17" TN LCD
Max. Resolution	1280 x 1024
Luminance(cd/m2)(TYP)	250 nits
Viewing Angle	170° (H)/160° (V)
Contrast Ratio	1000:1
Touch Screen	5-Wire Resistive

#### I/O

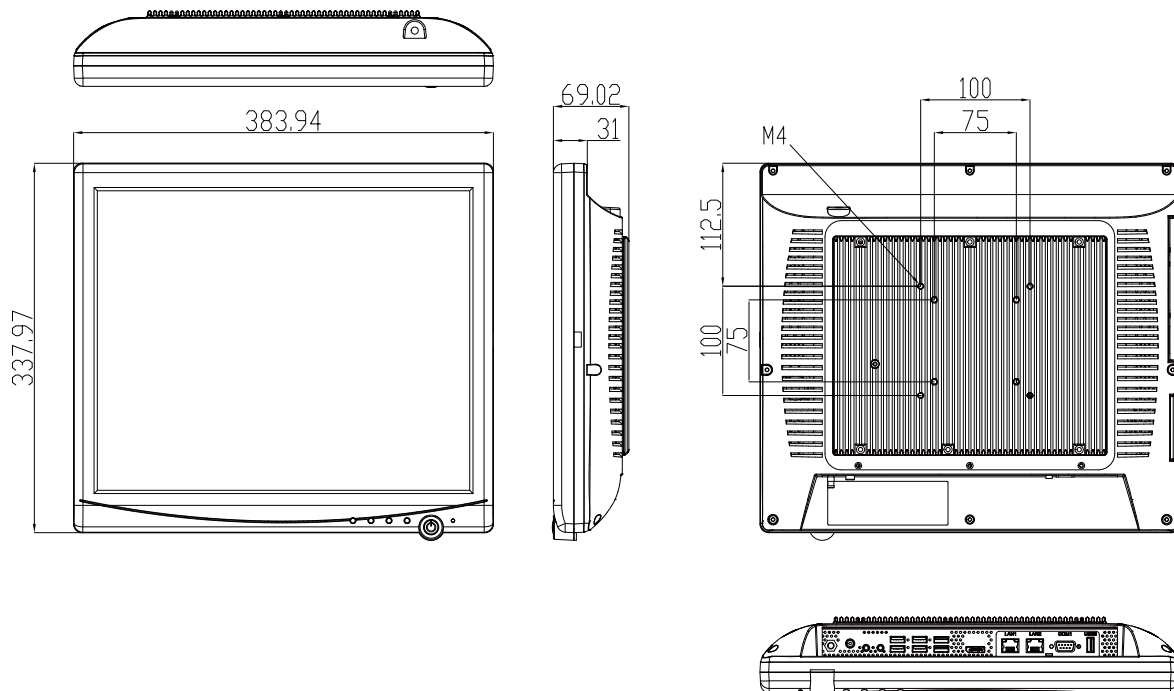
USB	Isolated USB 2.0 x 1, USB 2.0 x 4, USB 3.0 x 2
Serial Ports	Isolated RS-232 x 1
Ethernet	Isolated Gigabit LAN x 2
Video Out	Display Port x 1, Support resolution up to 2560 x 1600
Audio	Mic-in, Line-out

#### Mechanical and Environmental

Power Consumption	Full loading: 39 Watts
Operating Temperature	0°C ~ 40°C(32°F ~ 104°F)
Storage Temperature	-20°C ~ 60°C(-4°F ~ 140°F)
Mounting	VESA 75/100 mm
Degree of Protection	IP65 in the front, IPX1
Net Weight	6kg (13.2lb)
Gross Weight	10kg (22.05lb)
Package Dimension (W x D x H)	630 x 250 x 640 mm
Certifications	CE: EN 60601-1-2:2007(V3.0) , EN 60601-1:2006/A11:2011(V3.0) FCC: Part 18 Class B, Part 15 Class B UL: ANSI/AAMI ES60601-1:2005 (V3.0) cUL: CAN/CSA-C22.2 No. 60601-1:2014 (V3.0)

## 17" Fanless Core i3 Slim Medical Panel PC

## Dimension / Unit: mm



## Ordering Information

- » ONYX-1723DTT-A1-1010  
Slim Medical Panel PC, 17" LCD, Intel i3-3217UE, 4GB RAM, DC 12~24V, Touch Screen
- » ONYX-1723DTT-A2-1010  
Slim Medical Panel PC, 17" LCD, Intel Celeron 847E, 4GB RAM, DC 12~24V, Touch Screen

## Optional Accessories

- » 1757213000  
Medical Power Adapter, 130W, 24V
- » OPM-T007-A1  
Slim Slot-in DVD-RW Drive
- » OPM-T008-A1  
Smart Card Reader Kit
- » TF-OPM-H02S-A0/A1  
Desktop Stand with VESA 75/100
- » OPM-C06W-A0  
Mini Card WLAN Kit, IEEE 802.11a/b/g/n